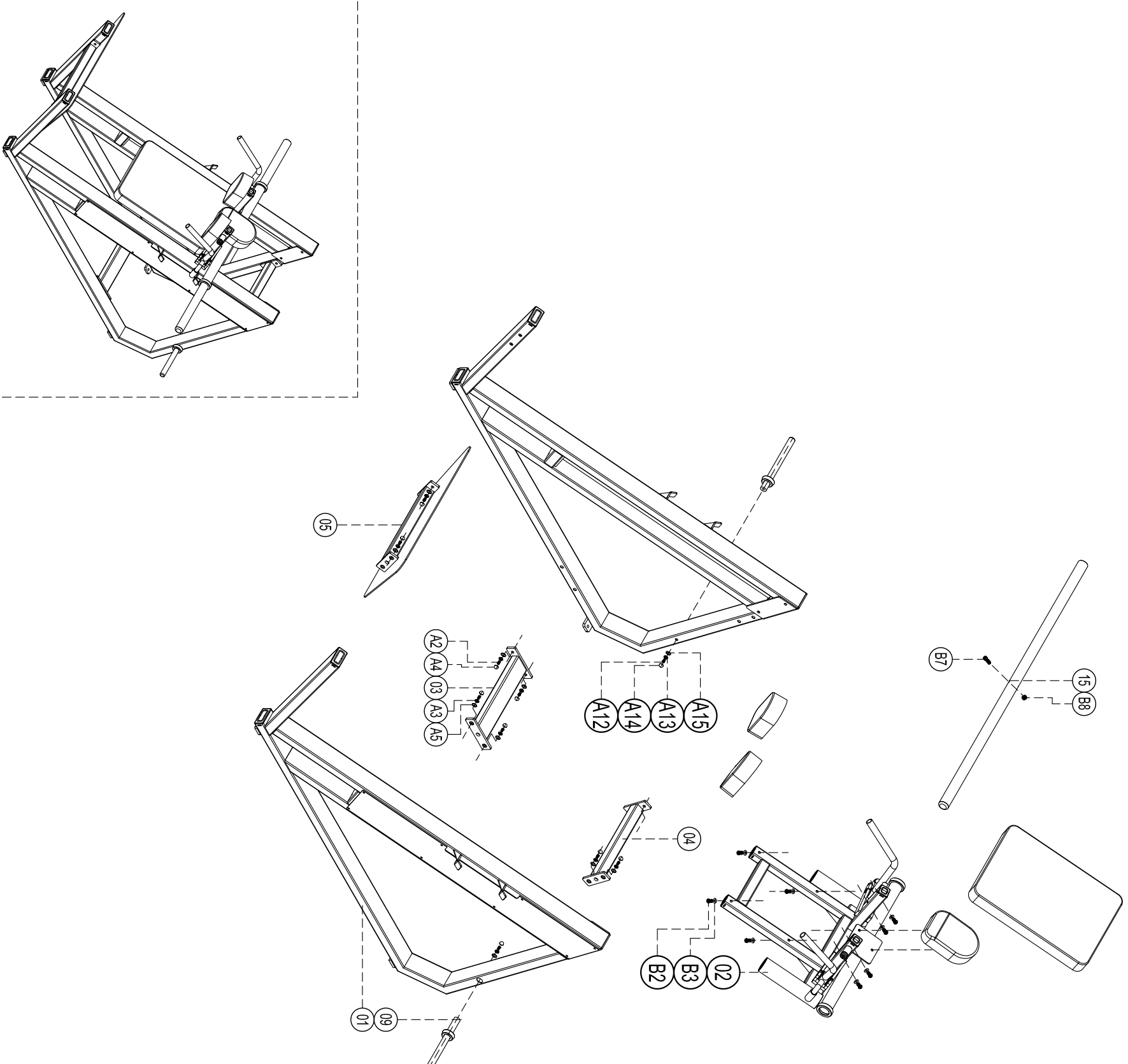


# Exploded

E3057 Hack Slide



please note :prats didn't demolition part and fast eners not listde on the introduction

B8	self lock nut M12	1
B7	Socket Cap inner hex M12*70	1
B4	Cup head inner hex screw M8*35	3
B3	Flat washer Φ8	11
B2	Cup head inner hex screw M8*80	8
A15	Gasket Ø12*Ø30*11.5	2
A14	Screw cap S277	2
A13	Spring washer Φ12	2
A12	Outer hex screw M12*35	2
A5	Gasket Ø12*Ø30*11.5	12
A4	Screw cap S277	12
A3	Spring washer Φ12	12
A2	Outer hex screw M12*35	12
15	Plate bar	2
09	Barbell	1
05	footrest	1
04	Back connector	1
03	Bottom connector	1
02	Sliding set	1
01	Main frame	2
serial number	name	quantity